



 **FORESTAR** YOUR RELIABLE WPC SUPPLIER!

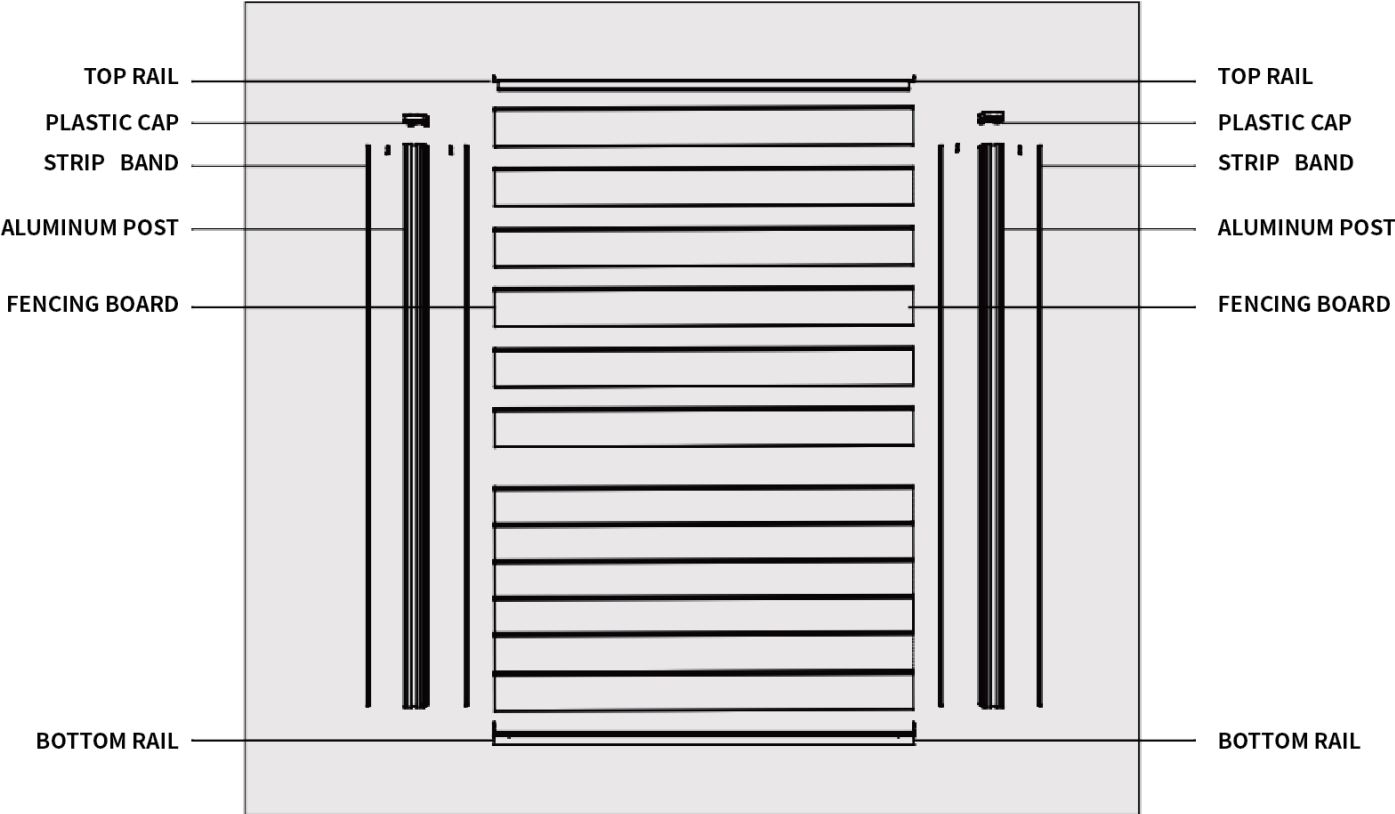
**FENCING SYSTEM IN KIT - 2.4M**



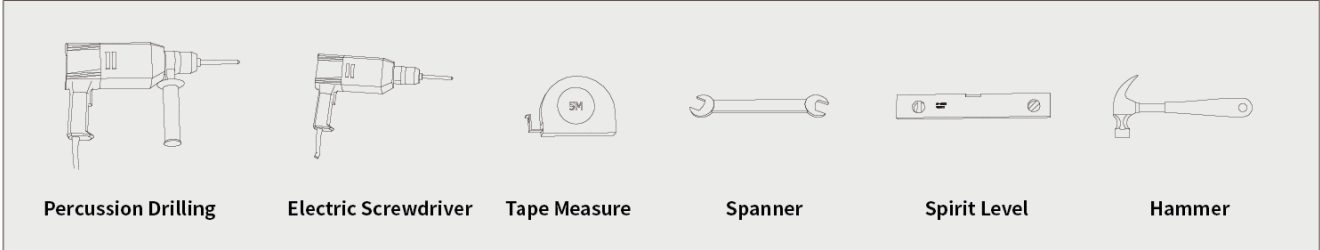
**EMBRACE ART AND REALITY IN EVERY ACT AND MOVEMENT**

**EXCELLENT PERFORMANCE OF WPC DECKING**  
**ANTI-MILDEW/ CORROSION/ CRACK AND INSECT PREVENTION-**  
**ANTI-STAINING/ SCRATCHES-**  
**UV RESISTANCE-**  
**PAINTING NOT REQUIRED-**  
**NO METHANAL-**

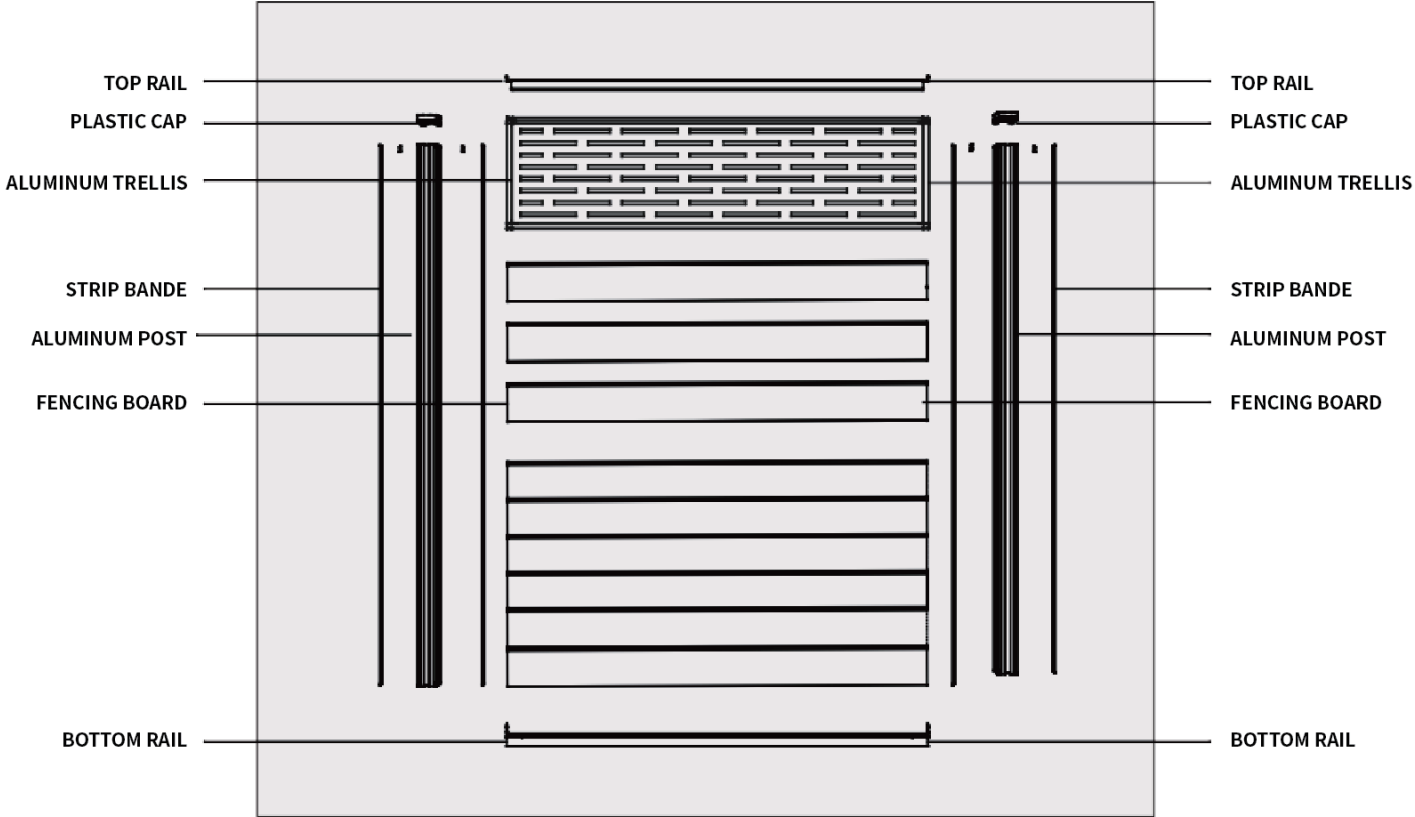
# INSTALLATION INSTRUCTION



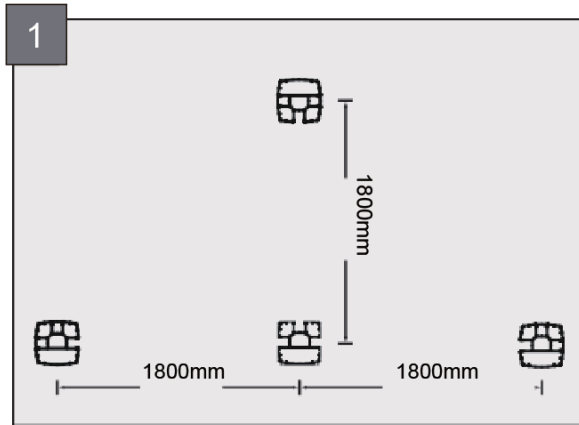
## Tools Needed for Installation



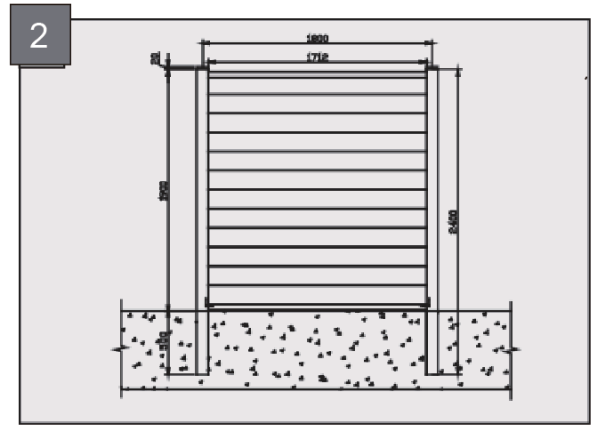
# INSTALLATION INSTRUCTION



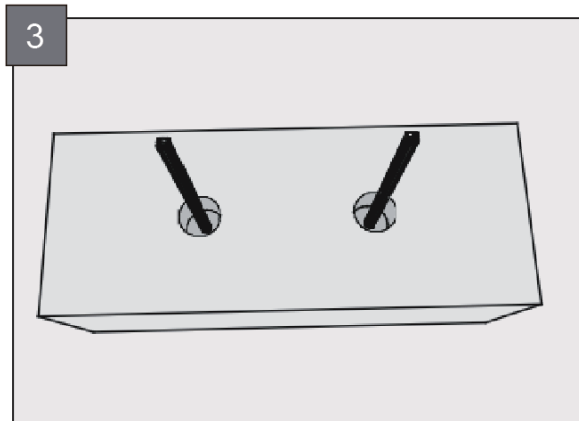
## INSTALLATION INSTRUCTION



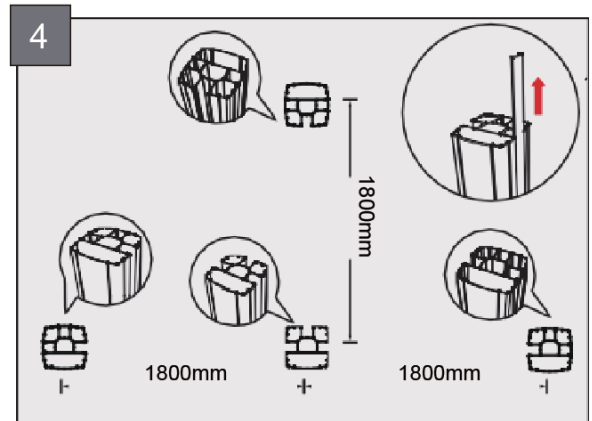
The fence distance is between two posts is 1800mm. The fencing board can be installed lengthwise, in “L” or in “T”.



For a 2.4m-high post, we suggest to fix it by embedding 0.5m-deep of the post in the ground, and we recommend to do so for any post with height above 1.9m.

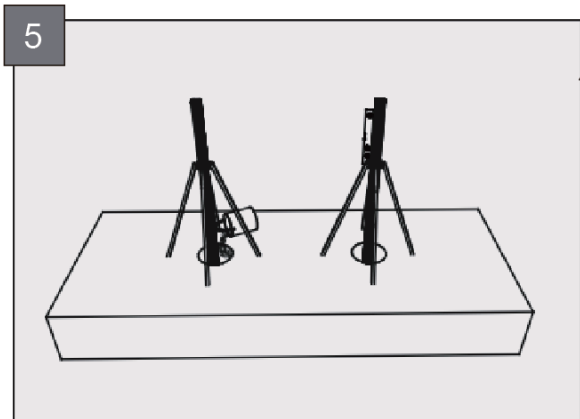


Dig a hole with the diameter of 300mm and depth of 500mm, then put the post into the hole.

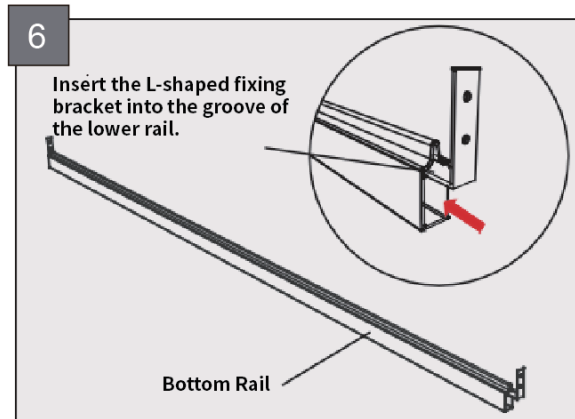


Each post kit has grooves in two sides with strip bands, which are removable to match the different types of installation desired.

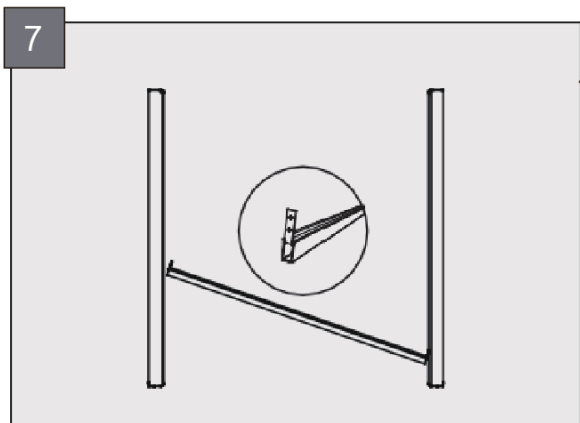
## INSTALLATION INSTRUCTION



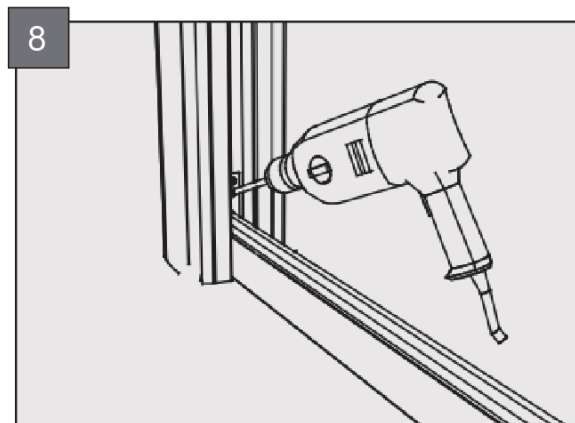
Adjust the post vertically by the level, then pour concrete into the hole to seal it.



Remove the L-bracket from the bottom rail. Insert it according to the drawing above.

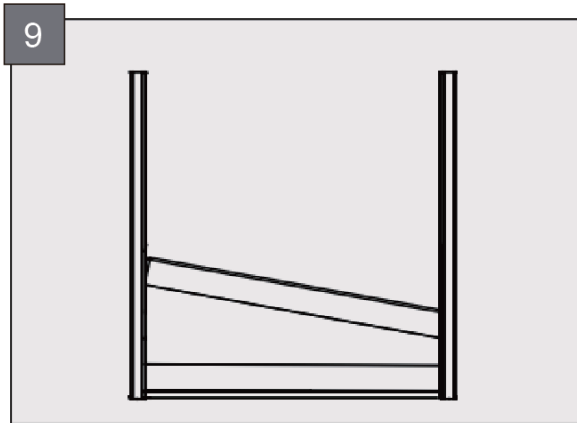


Put the bottom rail kit into the aluminum post groove.

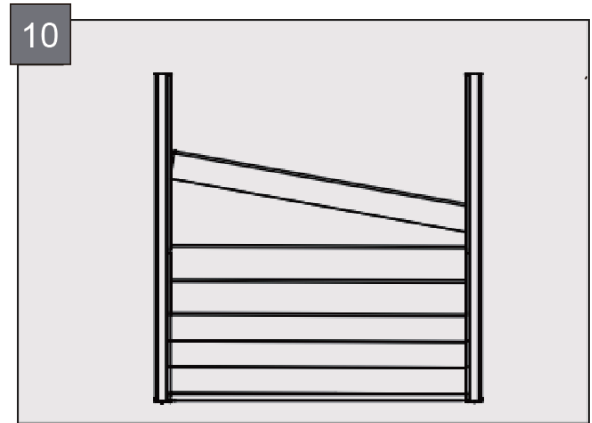


Put the bottom rail kit into the aluminum post groove.

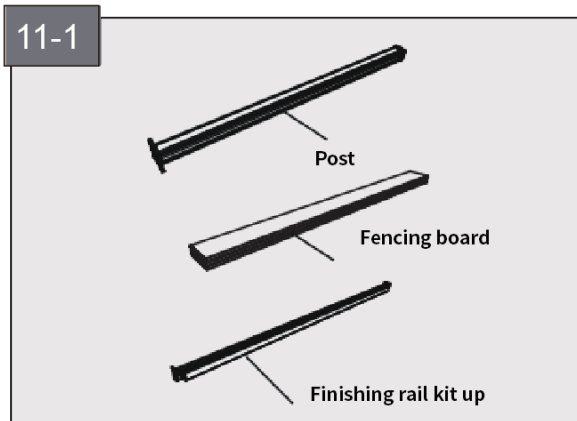
## INSTALLATION INSTRUCTION



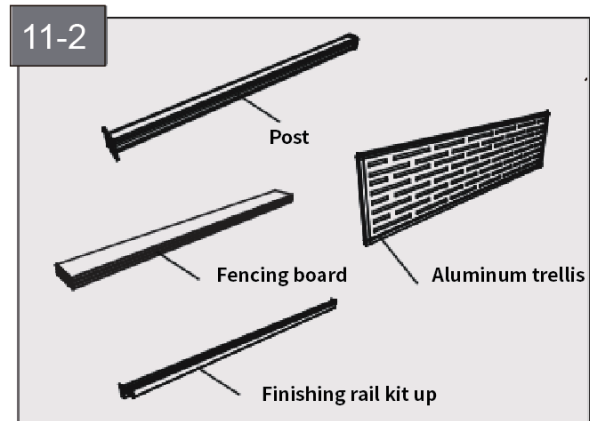
Slide the boards one by one between the posts. Note that the slats fit on top of each other so that the boards can be completely fit.



Slide the boards one by one between the posts. Note that the slats fit on top of each other so that the boards can be completely fit.



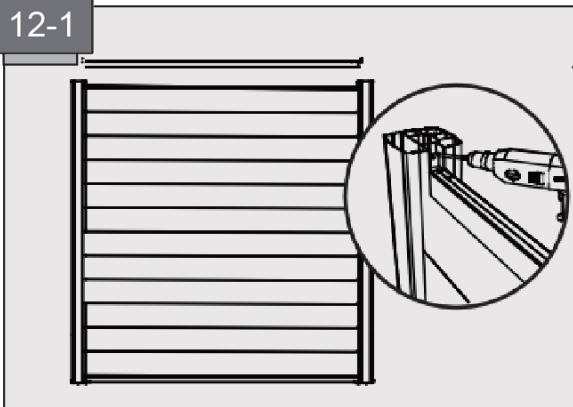
Install different numbers of boards as desired. A fencing system consists of TWO post kits, FOUR packs of boards (3 boards per pack) and ONE finishing rail kit.



Install different numbers of boards as desired. A fencing system consists of TWO post kits, THREE packs of boards (3 boards per pack), ONE aluminum trellis and ONE finishing rail kit.

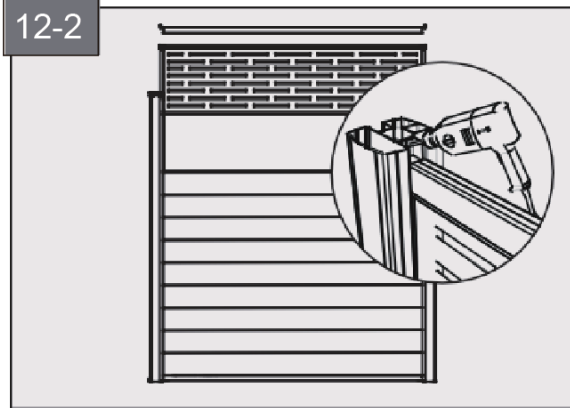
## INSTALLATION INSTRUCTION

12-1



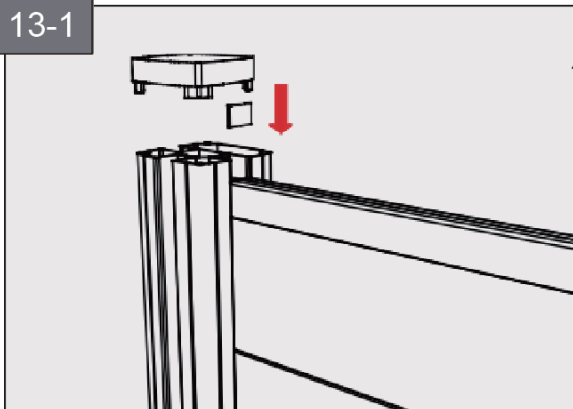
Position the top rail between the posts and screw it.

12-2



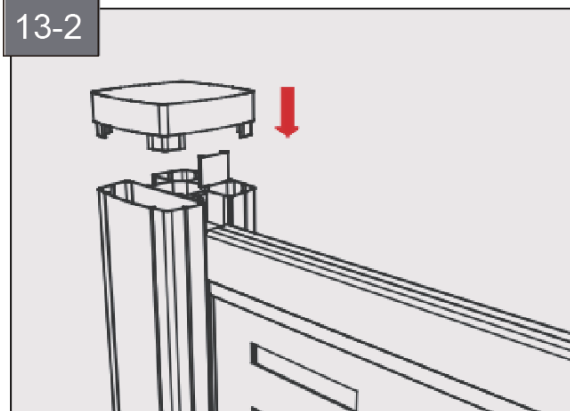
Position the top rail between the posts and screw it.

13-1



Insert the small finishing piece, then cover the post with the plastic cap.

13-2

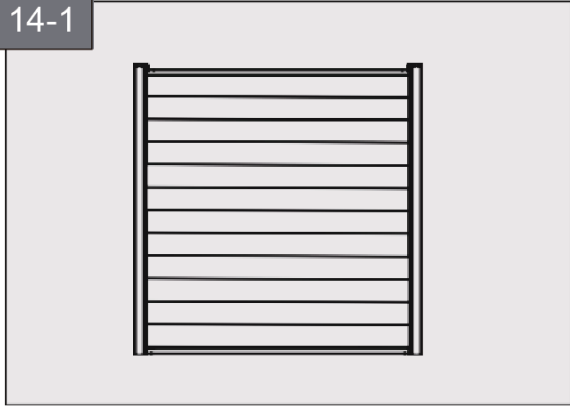


Insert the small finishing piece, then cover the post with the plastic cap.



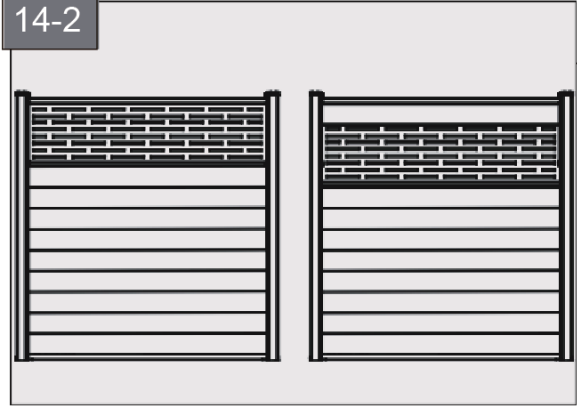
## INSTALLATION INSTRUCTION

14-1

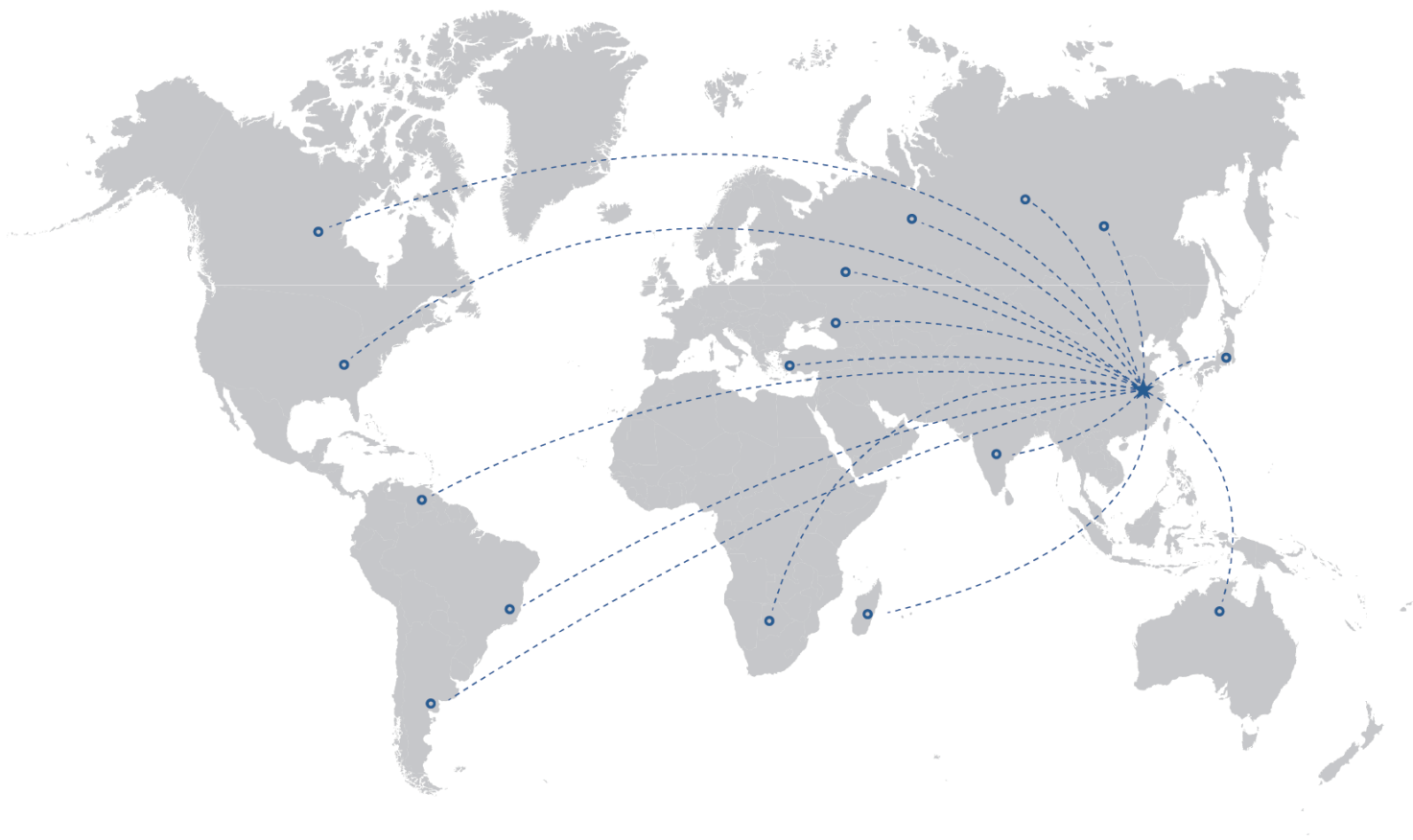


Effect drawing of the completed installation.

14-2



Effect drawing of the completed installation.



### **Xuancheng Fumeida New Materials Co., Ltd**

Add: 5, Meizigang Road, North District Industrial Park, Xuancheng, Anhui, China 242000  
Tel: +86-0563-2062096 Fax: +86-0563-2062059  
Website: [www.china-wpc.com](http://www.china-wpc.com)